



## Key Features

- Support BDS B1/B2/B3, GPS L1/L2/L5, GLONASS L1/L2 Galileo E1/E2/E5ab/E6 and SBAS bands.
- 3D structure design realizes excellent multipath rejection and low elevation tracking performance.
- Water & dust-proof design ensures absolute seal of kernel parts, capable for long time outdoor operation.
- Sub-millimeter phase center repeatability
- LNA has high gain which ensures the operation with long cable (100 meters +).



## 3D Choke Ring Antenna HX-CGX601A

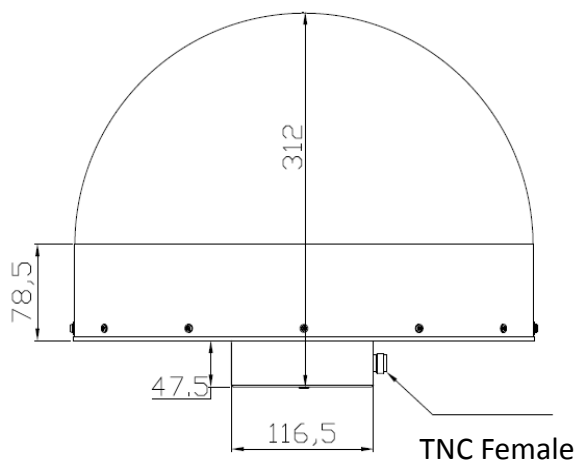
HX-CGX601A receives BDS, GPS, GLONASS, Galileo and SBAS frequencies with a integrated radome, which contains Harxon advanced antenna technology for improved tracking performance, multipath reduction, outstanding low elevation satellite tracking, and sub-millimeter phase center stability.

Harxon HX-CGX601A adopted unique 3D structure design. This 3D structure design has become the industry standard for high accuracy and low elevation tracking performance. Choke ring antenna are known for their multi-path rejection compared with other type of geodetic antennas. HX-CGX601A maintains superior levels of multipath rejection performance, whilst setting new level in low elevation tracking performance compared to traditional 2D choke ring design. It has become the preferred product for reference stations, geodetic base station, monitoring, seismic studies, and atmospheric studies applications.

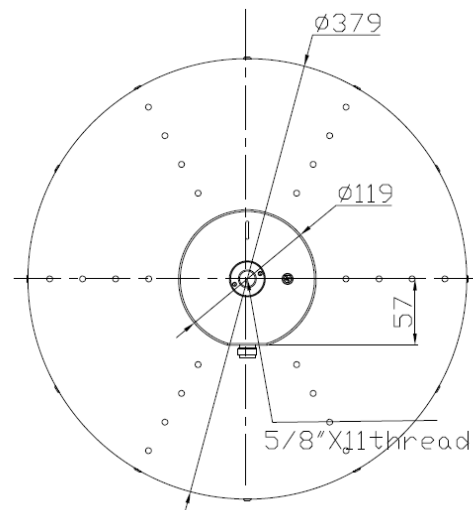
# Technical Specifications

Antenna Specification	
Frequency Range	GPS L1/L2/L5 GLONASS L1/L2 BDS B1/B2/B3 Galileo E1/E2/E5ab SBAS
Impedance	50ohm
Polarization	RHCP
Axial Ratio	≤3dB
Azimuth Coverage	360°
Output VSWR	≤2.0
Peak Gain	7 dBi
Phase Center Error	±1mm

LNA Specification	
LNA Gain	50±2dB
Noise Figure	≤2.0dB
Output VSWR	≤2.0
Operation Voltage	3~18VDC
Operation Current	≤60mA
Group Delay	≤5ns
Mechanical Specification	
Dimension	φ 379*312mm
Connector	TNC Female
Weight	9.5kg
Environment Spec	
Storage /Operating Temp	-40°C ~ +70°C
Humidity	95% No-condensing



Side view



Bottom view

**Harxon Corporation**

www.harxon.com sales@harxon.com  
Tel: +86 0755-26989948 Fax: +86 0755-26989994



HARXON AUTHORIZED DISTRIBUTION PARTNER